

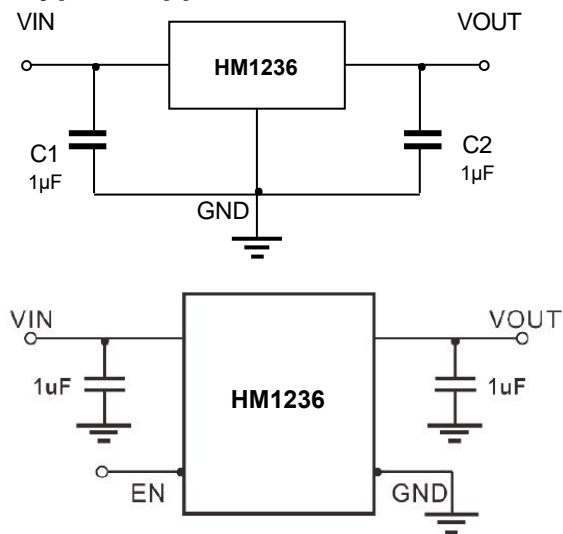
5.5V 300mA Low Dropout Linear Regulator

■ Description

PTFGĤ is a high ripple rejection, low power consumption, low dropout CMOS voltage regulator with short circuit protection. Its quiescent current at no-load is as low as 0.5uA, and it can provide 300mA output current under the condition that the input and output voltage difference is extremely small, and still maintain a good regulation rate, which is very suitable for portable battery-powered products, voice and imaging equipment products.

PTFGĤ retains all common features of low dropout regulators, including low dropout PMOS pass devices, short circuit protection and thermal shutdown.

■ Typical Application Circuit



■ Ordering Information

Part Number	Input voltage (V)	Output voltage (V)	Maximum output current (mA)	Quiescent Current (uA)	Output precision	PSRR (dB@ 1KHz)	Dropout (mV)	Enable
PTFGĤ	2.5~5.5	1.2~5.0	300	0.5	±2%	45	150@100mA	✓

■ Features

- ±2% output voltage tolerance over temperature
- VIN range up to 5.5V
- Ultra-low quiescent current 0.5uA
- When the output current is 300mA, the input and output voltage difference is 500mV
- Built-in Thermal Protection
- Built-in Overcurrent Protection

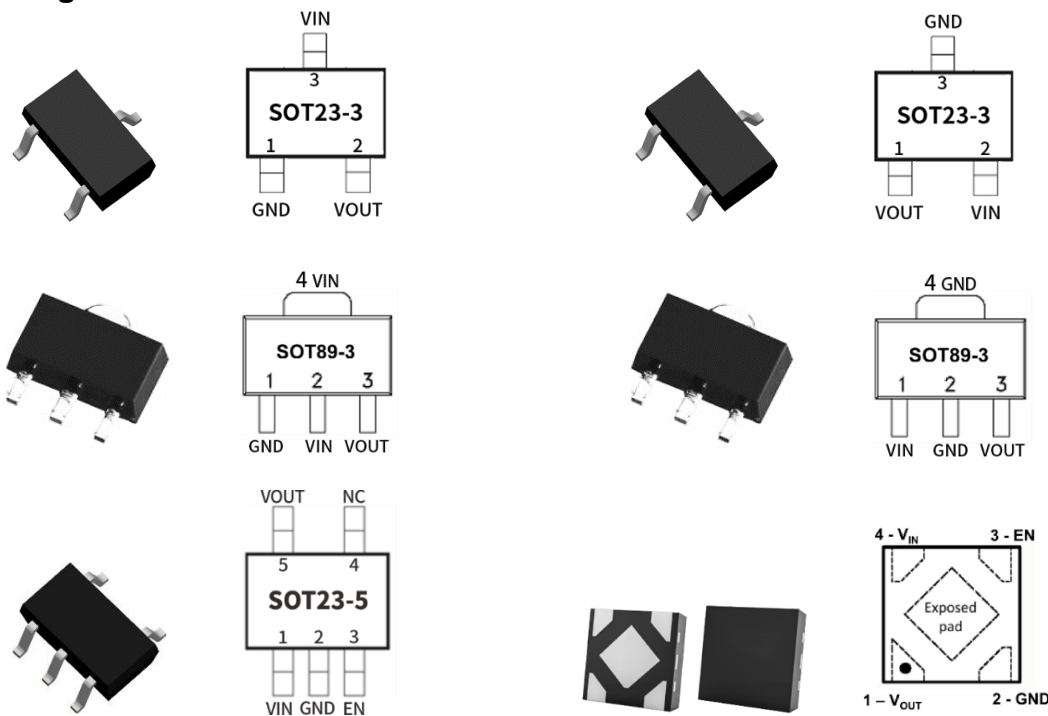
■ Application

- Portable battery powered devices (wearable watches, body fat scales, etc.)
- Security (cameras, dash cams, etc.)
- Mobile terminals (POS machines, power banks, etc.)
- Smart meters (electricity, gas, etc.)
- Sensors

■ Package (RoHS Compliant)

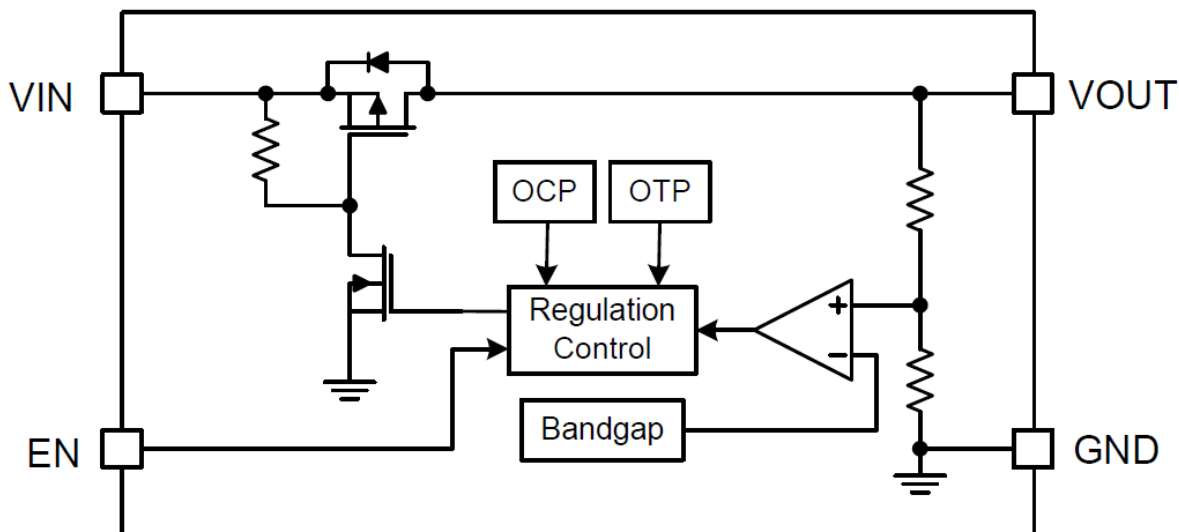
- SOT23-3
- SOT23-5
- SOT89-3
- DFN1X1-4L

■ Pin configuration



Pin Name	SOT23-3		SOT89-3		SOT23-5	DFN1X1-4L	Pin Function
VOUT	2	1	3	3	5	1	Output Voltage Pin
GND	1	3	1	2、4	2	2	Ground
VIN	3	2	2、4	1	1	4	Input Voltage Pin
EN	—	—	—	—	3	3	Enable Pin
NC	—	—	—	—	4	—	Not connected

■ Functional block diagram



■ Absolute Maximum Ratings

Project	Symbol	Value	Units
Input voltage	V_{IN}	-0.3 ~ +6.5	V
Lead Temperature (Soldering, 10 sec.)	—	300	°C
Storage Temperature	T_{stg}	-65 ~ +150	°C
Junction Temperature	T_J	125	°C

■ Recommended Operating Conditions

Project	Symbol	Value	Units
Input voltage	V_{IN}	2.5 ~ 5.5	V
Junction Temperature	T_J	-40 ~ +125	°C

■ Electrical Characteristics

$V_{IN} = V_{OUT} + 1V$, $I_{OUT} = 1mA$, $C_{IN} = C_{OUT} = 1\mu F$, $T_J = 25^\circ C$, unless otherwise specified

Symbol	Parameter	Test Conditions	Min	Typ	Max	Units
V_{OUT}	Output Voltage Accuracy		-2%		2%	V
ΔV_{LINE}	Line Regulation	$V_{IN} = V_{OUT} + 1V \sim 5.5V$		20	50	mV
ΔV_{LOAD}	Load Regulation	$I_{OUT} = 1mA \sim 300mA$		1.5		%
V_{DROP}	Dropout Voltage	$I_{OUT} = 100mA$, $V_{OUT} = 3.3V$		150		mV
		$I_{OUT} = 300mA$, $V_{OUT} = 3.3V$		500		mV
I_Q	Quiescent Current			0.5	1	μA
I_{CL}	Current Limit		360	560		mA
V_{ENHI}	Enable high level		0.6			V
V_{ENLO}	Enable low level				0.2	V
PSRR	Power-supply rejection ratio	$f = 1KHz$		45		dB
T_{SD}	Thermal Shutdown			150		°C
T_{SDHY}	Thermal Shutdown Hy			20		°C

■ Typical Characteristics

$V_{IN} = V_{OUT} + 1V$, $I_{OUT} = 1mA$, $V_{OUT} = 3.3V$, $C_{IN} = C_{OUT} = 1\mu F$, $T_J = 25^\circ C$, unless otherwise specified

